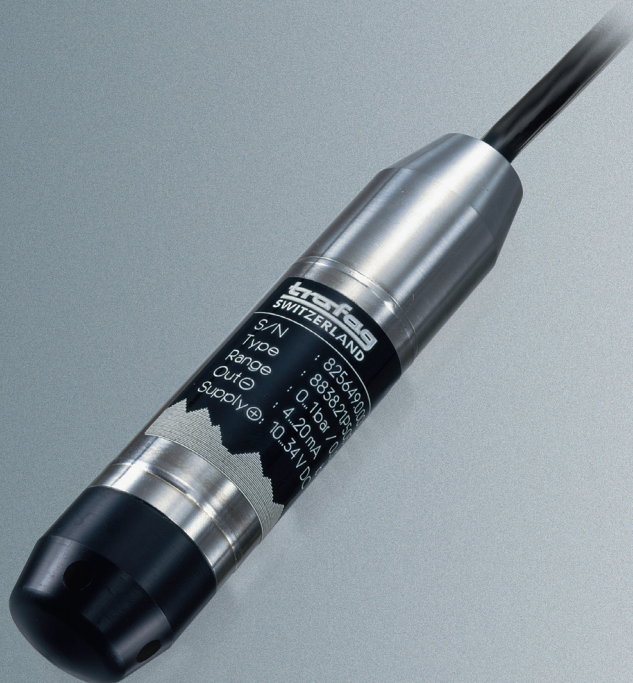


# SUBMERSIBLE PRESSURE TRANSMITTER NAL

- Pressure ranges from 100 mbar
- No media contacting O-rings
- Cable PUR or FEP
- Option: Chemical resistant material, in titanium
- Option: Lightning protection (IEC 61000-4-5)



# Submersible Pressure Transmitter NAL 8838

Swiss based Trafag is a leading international supplier of high quality sensors and monitoring instruments for measurement of pressure and temperature.



## Applications

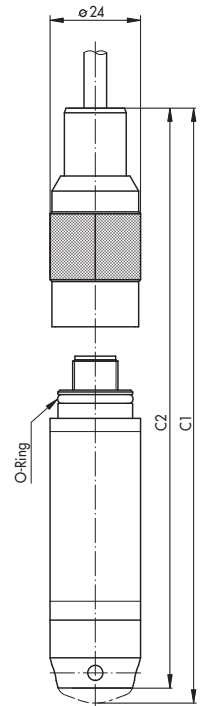
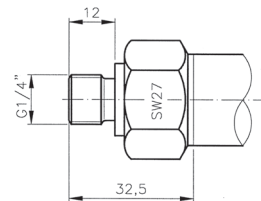
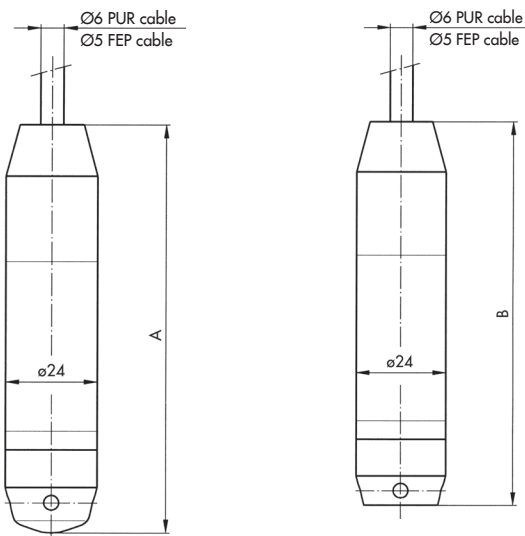
- Shipbuilding
- Process technology
- Water treatment



## Features

- Pressure ranges from 100 mbar
- No media contacting O-rings
- Cable PUR or FEP
- Option: Chemical resistant material, in titanium
- Option: Lightning protection (IEC 61000-4-5)

| Technical Data      |                             |                       |                |
|---------------------|-----------------------------|-----------------------|----------------|
| Measuring principle | Piezoresistive              | Media temperature     | -5°C ... +50°C |
| Measuring range     | 0 ... 0.1 to 0 ... 25 bar   | Ambient temperature   | -5°C ... +50°C |
| Output signal       | 4 ... 20 mA<br>0 ... 10 VDC | Approval / conformity | DNV-GL         |



Subject to change H70681n 03/2021